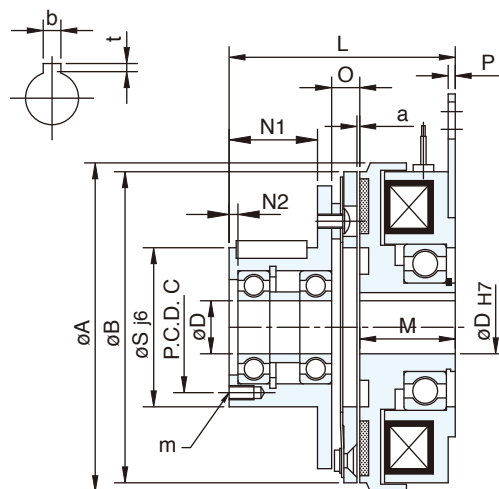
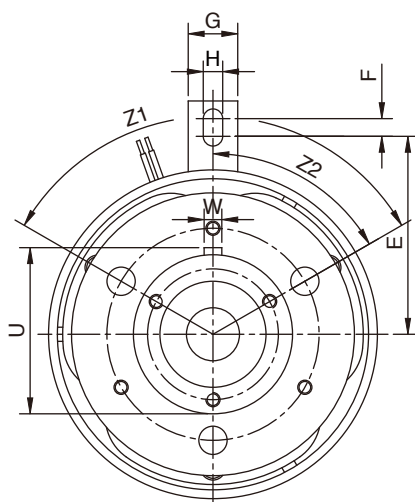
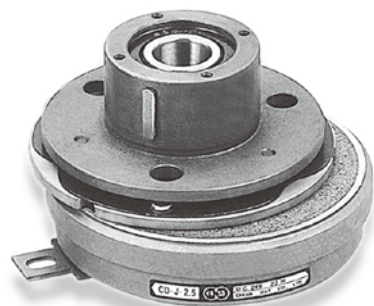


# CJ2 Series

## 乾式單板標準超薄型電磁離合器 Dry Single-plate Magnetic Clutch

附軸承導座 with bearing plating hub



型號 MODEL	CJ20S6AA	CJ21S5AA	CJ22S5AA	CJ2005AA	CJ2010AA	CJ2020AA	
靜摩擦轉距 Static Friction Torque [kgm](N-m)	0.55 (5.5)	1.1 (11)	2.2 (22)	4.5 (45)	9.0 (90)	17.5 (175)	
動摩擦轉距 Dynamic Friction Torque [kgm](N-m)	0.5 (5.0)	1.0 (10)	2.0 (20)	4.0 (40)	8.0 (80)	16 (160)	
功率 Power [24V](W) at 20°C	14	22	26	29	37	44	
徑方向 Radius	A	74	93	116	144	178	225
	B	70	88	110	137	172	217
	C	33	37	47	52	62	74.5
	D	12	15	20	25	30	40
	E	37.75	56	61.45	77.15	99	117
	F	5	5	4.5	4.9	10	10
	S	38	45	55	64	75	90
	U	39.5	47	57	67	78	93.5
軸方向 Shaft	G	12	14	16	16	25	25
	H	4.5	5.5	6.5	6.5	8.5	8.5
	L	53.7	63.75	74.1	89.6	112.8	134.2
	M	25	26.5	30.1	34	43	50
	N1	20	25	30	40	50	60
	N2	2	2.5	3	2	3	5
	O	6.2	7.75	9	11.9	12.8	16.2
	P	2	2	2	2	3	3
	W	4	5	7	10		
	Z1	3-120°		4-90°		6-60°	4-90°
	Z2	60°		45°		30°	45°
	a	0.2 (±0.05)			0.3 ( $^{+0.05}_{-0.1}$ )		0.5 ( $^{0}_{-0.2}$ )
	b	4	5	7	10		
	t	1.5	2.3	3.3	3.8		
m	3-M4*0.7P*4L	3-M4*0.7P*6L	4-M4*0.7P*8L		6-M5*0.8P*8L	4-M6*1P*12L	
重量 Weight (kg)	0.8	1.3	2.4	4.2	8.6	15.2	
保護素子 Protective band	470KD07	GD80KD10		GD80KD14			