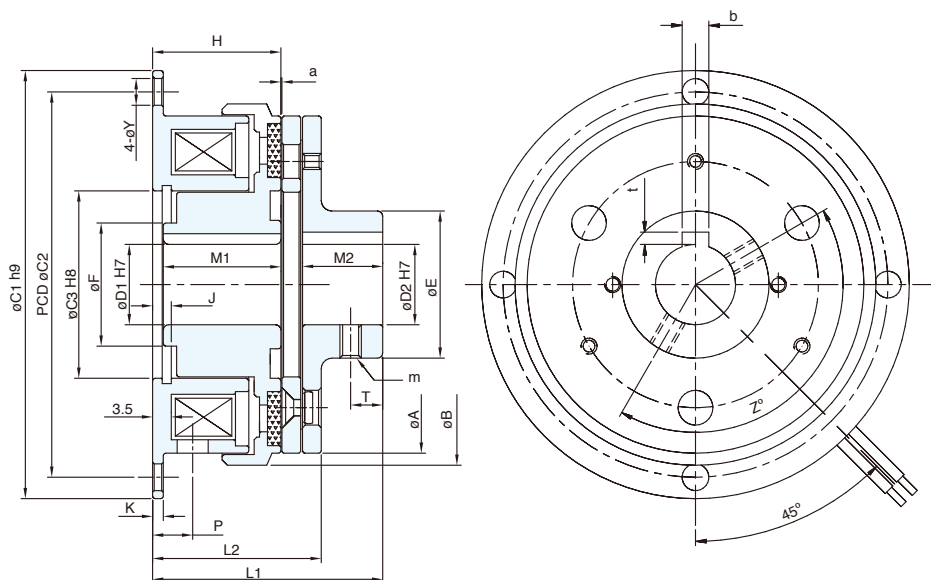


CF1 Series

乾式單板電磁離合器-突圓固定型 Dry Single-plate Magnetic Clutch, Fixed-cylinder

附導座 with plating hub



型號 MODEL	CF10S6AA(AB)	CF11S5AA(AB)	CF12S5AA(AB)	CF1005AA(AB)	CF1010AA(AB)	CF1020AA(AB)	CF1040AA(AB)	
靜摩擦轉距 Static Friction Torque [kgm](Nm)	0.55(5.5)	1.1(11)	2.2(22)	4.5(45)	9(90)	17.5(175)	35(350)	
動摩擦轉距 Dynamic Friction Torque [kgm](Nm)	0.5(5.0)	1.0(10)	2.0(20)	4(40)	8(80)	16(160)	32(320)	
功率 Power [24V](W) at 20°C	11	15	20	25	35	45	60	
徑 方 向 Radius	A	63	80	100	125	160	250	
	B	67.5	85	106	133	169	264	
	C1	80	100	125	150	190	290	
	C2	72	90	112	137	175	270	
	C3	35	42	52	62	80	125	
	D1	15(12)	20(15)	25(20)	30(25)	40(30)	50(40)	60(50)
	D2							
	E	27.5	31	41	49	65	83	105
	F	23	28	40	45	62	77	100
Y	5	6	7	7	9.5	9.5	11.5	
軸 方 向 Shaft	H	24	26.5	30	33.5	37.5	44	51
	J	3.5	4.3	5	5.5	6	7	8
	K	2	2.5	3	3.5	4	5	6
	L1	43.05	51.3	60.9	70.8	85	101.2	118.5
	L2	31.55	35.3	40.9	46.8	54	65.2	75.47
	M1	22	24.1	27	30	34	40.15	47.15
	M2	15	20	25	30	38	45	54
	P	7.5	9.5	8.9	9.5	9.5	10.5	15.5
	T	6	8	10	12	14	18	22
	Z°	150°					120°	
	m	2-M4	2-M5		2-M6	2-M8		2-M10
	a	0.2 (±0.05)			0.3 (^{+0.05} _{-0.1})		0.5 (⁰ _{-0.2})	
	b	5 (4)	5 (5)	7 (5)	7 (7)	10 (7)	12 (10)	15 (12)
t	2.3 (1.8)	2.3 (2.3)	3.3 (2.3)	3.3 (3.3)	3.8 (3.3)	3.8 (3.8)	5.3 (3.8)	
重量 Weight (kg)	0.5	0.91	1.66	3.05	5.4	10.5	18.7	
保護素子 Protective band	470KD07	G80KD10		GD80KD14				