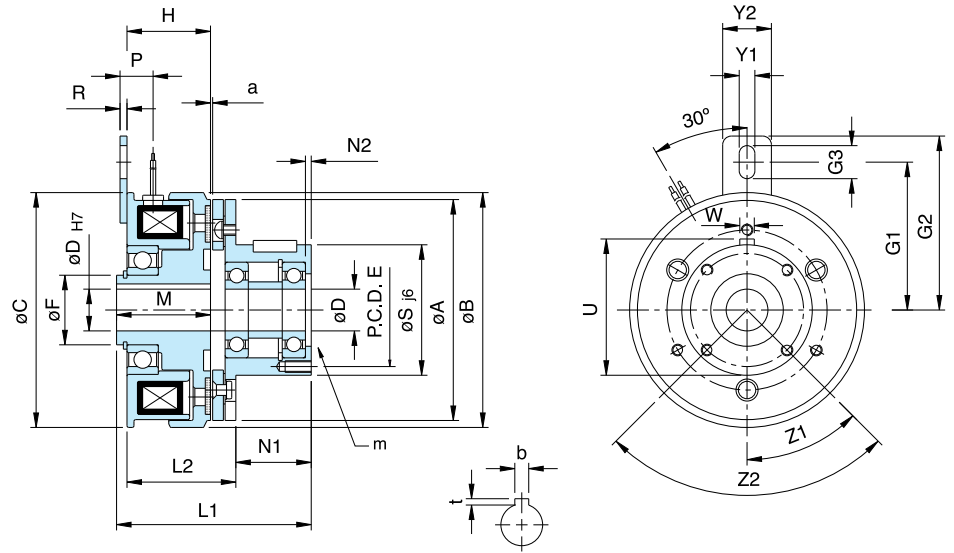


# CE2 Series

## 內軸承式電磁離合器 Internal Bearing-type Magnetic Clutch

附軸承導座 with bearing plating hub



型號 MODEL	CE20S6AA	CE21S5AA	CE22S5AA	CE2005AA	CE2010AA	
靜摩擦轉距 Static Friction Torque [kgm](Nm)	0.55(5.5)	1.1(11)	2.2(22)	4.5(45)	9(90)	
動摩擦轉距 Dynamic Friction Torque [kgm](Nm)	0.5(5.0)	1.0(10)	2.0(20)	4(40)	8(80)	
功率 Power [24V](W) at 20°C	11	15	20	25	35	
徑 方 向 Radius	A	63	80	100	125	160
	B	67.5	85	106	133	169
	C	67.5	85	106	133	169
	D	12	15	20	25	30
	E	33	37	47	52	62
	F	20	25	30	40	50
	H	24.6	27	30	33.5	38.9
	L1	54.65	63.25	74.9	91	109.7
	L2	32.15	35.75	40.9	46.8	55.4
	M	27.1	29.5	34	37.7	43.2
	N1	20	25	30	40	50
	N2	2	2.5	3	2	3
	P	9.5	9.5	9.6	9.6	11.5
	R	2	2	2	2	3
	S	38	45	55	64	75
a	0.2 (±0.05)			0.3 (+0.05 / -0.1)		
軸 方 向 Shaft	G1	42.75	55.25	61.75	76.3	98.35
	G2	49.50	3.5	72.5	85	112
	G3	9.5	10.5	15.5	11.4	18.5
	U	39.5	47	57	67	78
	W	4	5	5	7	7
	Y1	4.5	5.5	6.5	6.4	8.5
	Y2	12	14	16	16	25
	Z1	0°		45°		30°
	Z2	3-120°		4-90°		6-60°
	b	4	5	5	7	7
	t	1.8	2.3	2.3	3.3	3.3
	m	M4*0.7P*6L		M4*0.7P*8L		M5*0.8P*8L
重量 Weight (kg)	0.7	1.23	2.18	3.93	7.1	
保護素子 Protective band	470KD07	GD80KD10		GD80KD14		